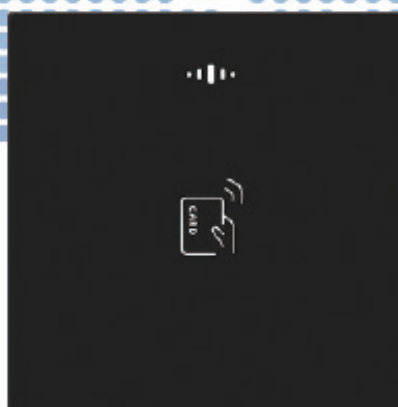




TD-10MWK/TD-10MWT/TD-10MAK/TD-10MAT Access Control Terminal User Manual

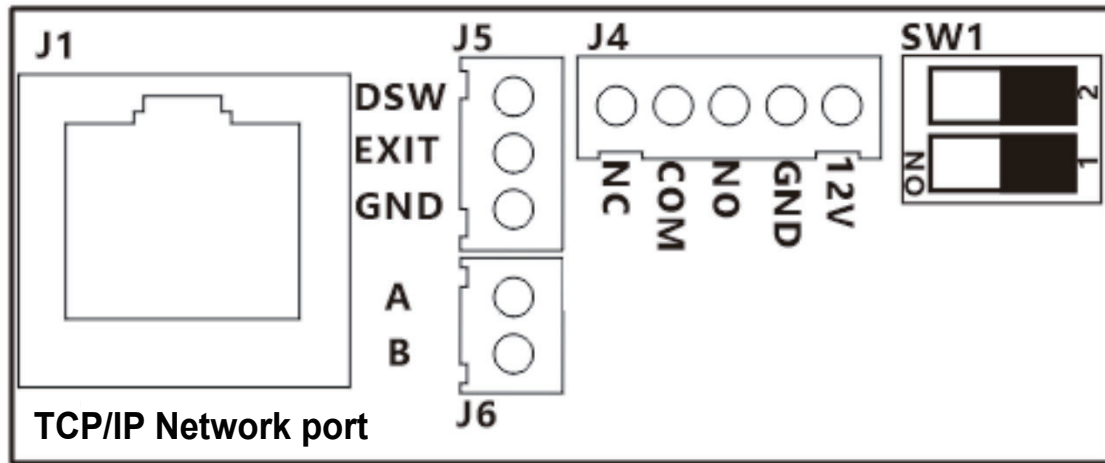


1、Product Overview

Parameter:

Input	DC12V±10%
Swipe distance	0~4CM
Working current	200MA
Card reading type	IC card
Working mode	TCP/IP networking/offline
issuing mode	management platform card issuing
Working temperature	-20°C~70°C
Relative humidity	20% ~ 93%
Open mode	swipe card, APP, remote, password (optional)
size	control box:273 * 232 * 67mm reading head :86 * 86 * 8MM
Installation method	Control box: hanging installation reading head : 86 box embedded installation.86 box requires a depth of 50MM inside

2、Controller interface description

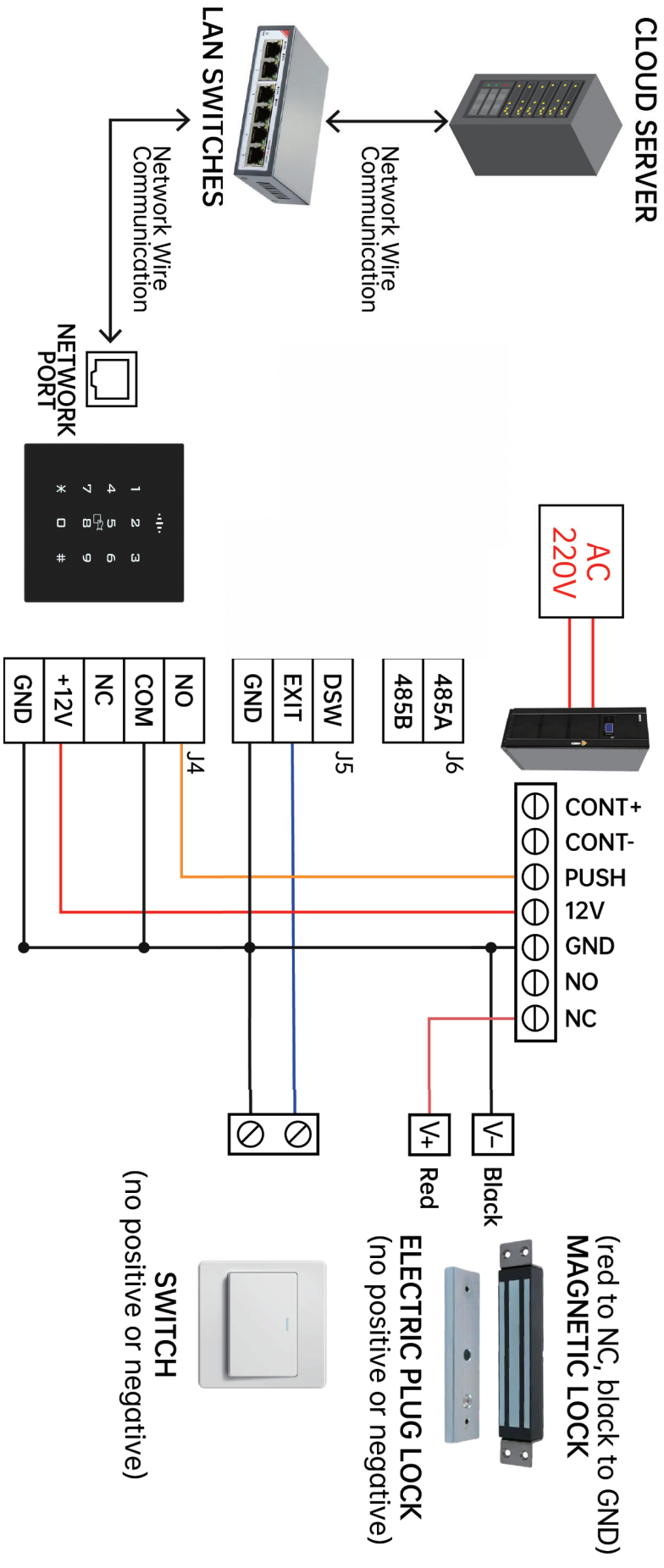


Interface description:

Location	Function Description
J4	Power and relay output interface
J5	Exit button and door magnetic detection interface
J6	485 bus communication interface
J1	LAN cable crystal head interface
SW1(0 means no dialing, 1 means dialing to ON)	Mode selection(00: TCP/IP LAN networking,01:Offline)

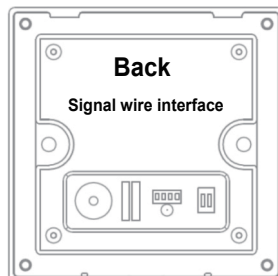
Interface Name	Function Description
+12V	Power and relay output interface
GND	Exit button and door magnetic detection interface
NC	485 bus communication interface
COM	LAN cable crystal head interface
NO	Relays normally open
EXIT	Exit key signal detection
DSW	Door magnet signal detection
485A/B	485 bus A/B interface

3、 System wiring references:

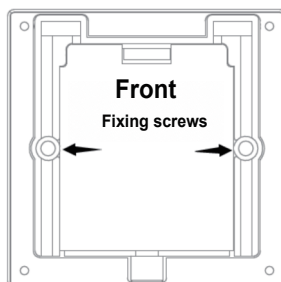


4、 Wiegand Reader Installation diagram:

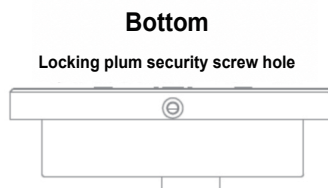
(a) Connect the signal line in the back of the read head device as shown in the figure below.



(b) Install the reading head device into the 86 box, (note that you need to use the embedded wall inside the depth of 50MM style 86 box), lock the screws to fix, as shown in the figure below.

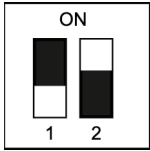
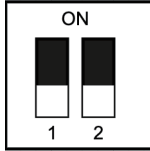


(c) Read the head panel and read the head body snap together, first from the upper snap down and then press the lower and bottom screw hole alignment; finally in the bottom of the anti-theft screw hole screwed on the countersunk head machine wire within the plum security screws fixed, as shown in the figure below.



5、Multi-door Control Function Description

Operating mode selection

Switch Setting	Indicates	Switch Setting	Indicates
 01	Offline working	 00	TCP/IP LAN networking

Startup status

TCP/IP LAN networking : When the power is on, the blue LED flashes, indicating that it is looking for the network. When normally connected to the network, the buzzer "tick ~ tick" two short beeps, the LED red light is always on, indicating that the cloud access control has started normally; when 20 seconds later is not normally connected to the network, the buzzer "tick tick tick" three beeps, the LED red light is always on, indicating Connection network failure, the controller forced to start. After the controller is normally connected to the network, the LED green light will flash once every 20 seconds, indicating that there is data and the cloud platform interactive communication.

Offline working: When the power is started, the buzzer "beep" a short beep, the LED red light is always on, indicating that the cloud access control has started normally.

Unlock status

When the lock is opened legally, the buzzer of the controller and the reading head will be "beep" at the same time, accompanied by a green LED flashing once, and the corresponding relay will be jumped, which means that the lock is opened successfully; when the lock is opened illegally, the buzzer of the controller and the reading head will be "beep beep beep" three times at the same time, accompanied by a red LED flashing three times, which means that the lock is opened and failed.

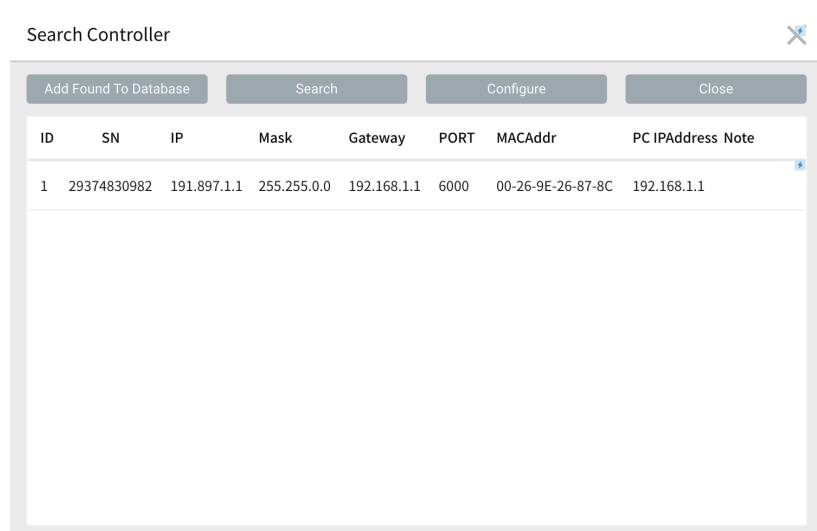
Unlock method

The device can be unlocked by swipe card, remote APP, out door button, management center platform remote, cloud server platform remote, password (optional), and many other ways.

6、Multi-door Control Configuration

Management Center Add Controller

Connect the controller to the PC with a network cable, open the controller management software, and click Add Controller by Search. At this time, the management software can automatically search for the multi-door controllers connected to the LAN and assign them to the corresponding IP. Then configure the controller to the corresponding area. Click to confirm that the controller can be bound to the corresponding regional access control.




ID	SN	IP	Mask	Gateway	PORT	MACAddr	PC IPAddress Note
1	29374830982	191.897.1.1	255.255.0.0	192.168.1.1	6000	00-26-9E-26-87-8C	192.168.1.1

Add user and configure his permissions


In the management center, add users to configure the rights of the corresponding area controllers for them. After the configuration is completed, users can open the door in the room where these controllers are installed by swipe card, APP, password, etc. More detailed controller management and

Add User:

User ✕

* User ID:	<input type="text" value="J03"/>	 Photo
* Name:	<input type="text" value="Lucy"/>	
Card NO:	<input type="text" value="989898"/>	
Department:	<input type="text" value=""/>	

Attendance Access Control

Activate: 

Pwd:

Configuration Permissions:

J01.Lucy—Privileges ✕

Zone:

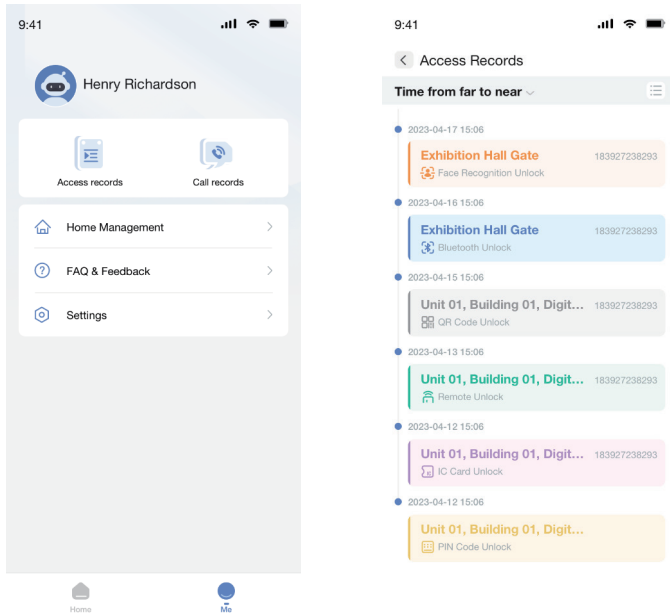
Optional Doors	Selected Doors
m001-01	m001-04
m001-02	
m001-03	

7、Remote control controller

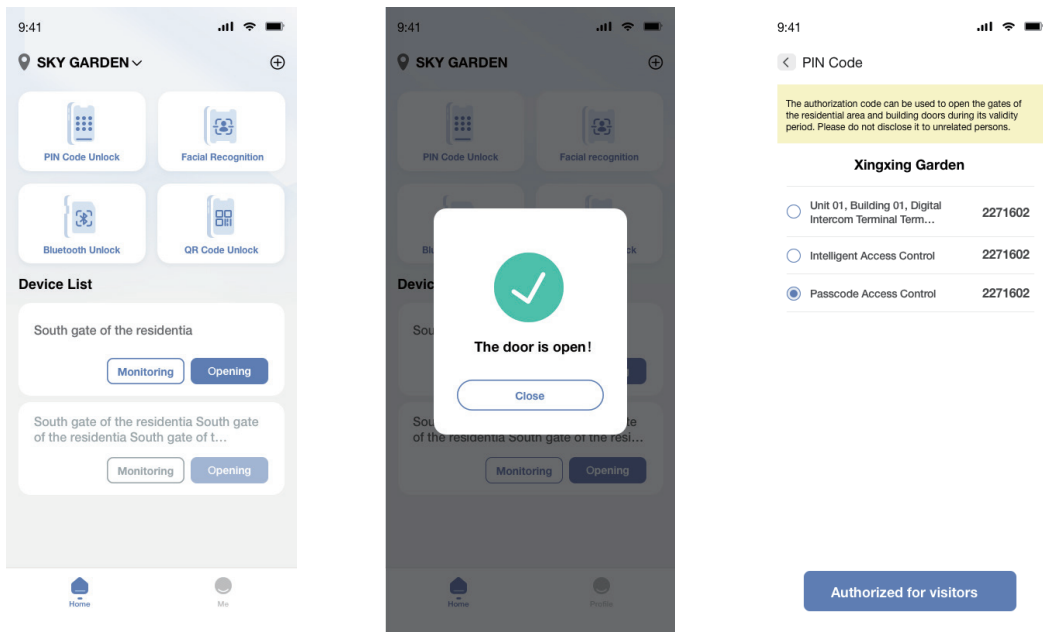
Remotely open doors and view access records

After you open Trudian APP and log in the user you have added in the management center, the APP home page shows all the controllers that the current user can control. You can open the door remotely in APP, and you can also view all the door opening information recorded by the controller in APP.

View access records with APP:



Open the door remotely with APP:





Website: www.trudian.com/en/
Address: Farbell Technology Park, Yixian Road, Nanlang,
Cuiheng New District, Zhongshan City, Guangdong Province,
China. Zip Code: 528451
E-mail: sales@trudian.net

Scan Here to Follow Trudian's Latest News

